

# LUKAS

superior equipment for saving lives

## PT RESCUE



## LUKAS R 320 - PRODUCT INFORMATION



**PT Rescue**

19 Ricketts Road,  
Mt Waverley,  
Vic 3149

P: +61 3 9562 8800

F: +61 3 9562 8080

E: [rescue@ptha.com.au](mailto:rescue@ptha.com.au)

## LUKAS - R 320 Mini Ram

Welcome to the new compact telescopic ram for Lukas eWXT, e<sup>3</sup> and e<sup>3</sup> CONNECT series.

### LUKAS R320 Mini Ram

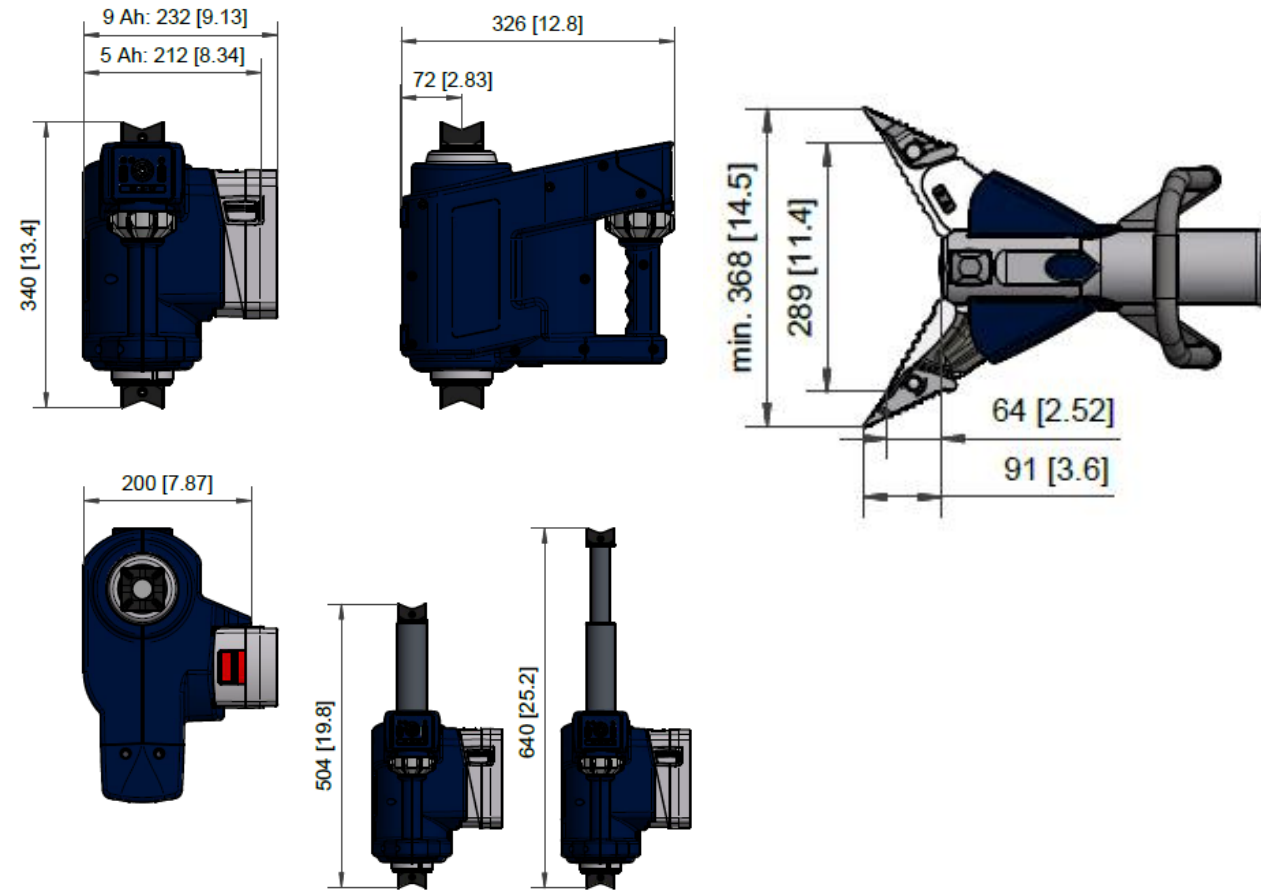
- The perfect addition to compliment the superior R 521 Ram
- A model that considers modern rescue techniques and modern vehicle technology
- A model that offers more application opportunities than other telescopic rams
- A model that provides a perfect interaction with our SC 358 Combi



# LUKAS - R 320 Mini Ram – TECHNICAL DATA

## Technical Data:

	R320eWXT/e3			
Length, retracted	mm	340	in	13.39
Length, extracted	mm	640	in	25.2
Height	mm	326	in	12.83
Width without battery	mm	200	in	7.87
Width with 5Ah battery	mm	212	in	8.35
Width with 9Ah battery	mm	232	in	9.13
Weight without battery	kg	13,2	lbs	29.32
Weight with 5Ah battery (1,2kg)	kg	14,4	lbs	31.96
Weight with 9Ah battery (1,6kg)	kg	14,8	lbs	32,84
Total stroke	mm	300	in	11.81
Stroke first piston	mm	164	in	6.45
Stroke second piston	mm	136	in	5.35
Force first piston	kN	127	lbf	28,550
Force second piston	kN	60	lbf	13,488
Nominal pressure	MPa	50		
Accessory: Extension 1	mm	50	in	2.75
Accessory: Extension 2	mm	150	in	5.90
Accessory: Extension 3	mm	270	in	10.63



# LUKAS - R 320 Mini Ram – ACCESSORIES

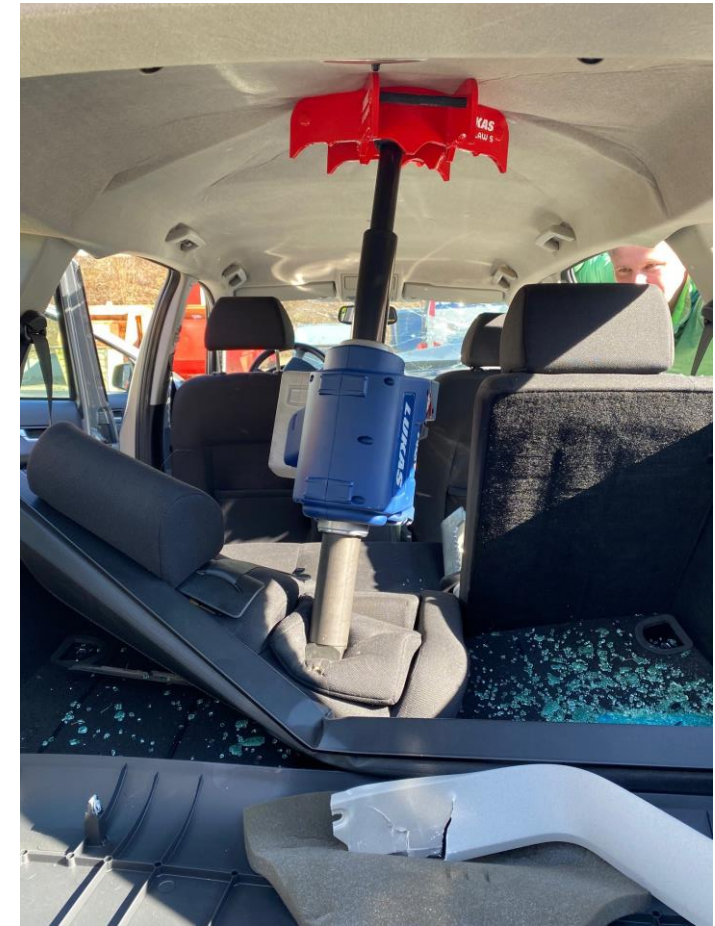
- R 320 Extension Set  
consisting of three Extensions
- Extension 1: 50mm
  - Extension 2: 150mm
  - Extension 3: 270mm





# LUKAS - R 320 Mini Ram – APPLICATIONS

Pushing down the rear seats



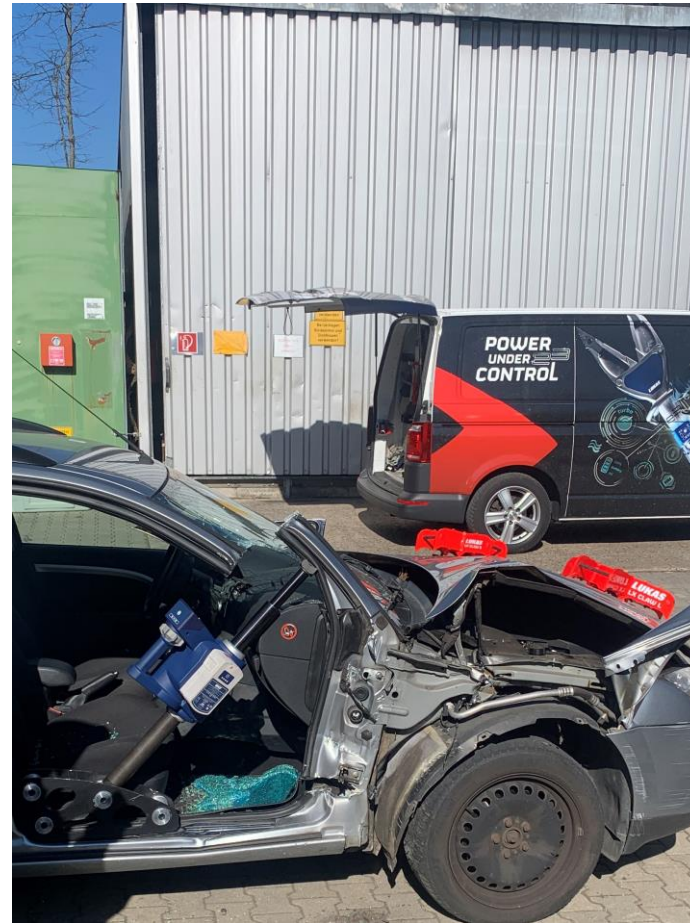


# LUKAS - R 320 Mini Ram – APPLICATIONS

Access enlargement



Dash Roll



Lifting Steering Wheel

